
Comfort-Cire®

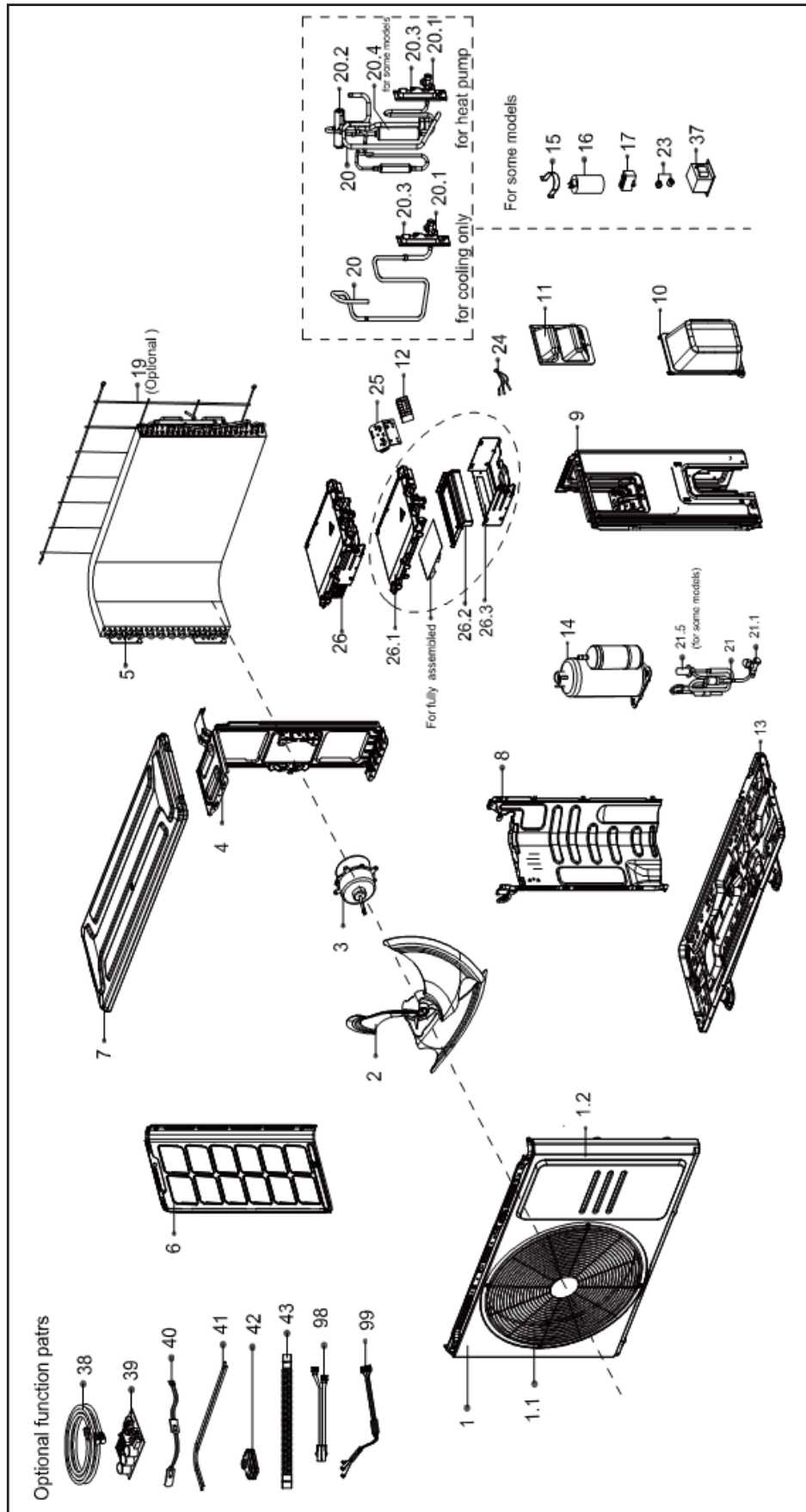
Century®

PARTS LIST

**Single Zone Ductless Mini-Split
with Inverter Technology**

A-DVH12SH-0

EXPLODED VIEW



REPLACEMENT PARTS

Location	Part Name	Quantity	Part No.
1	Front panel assembly	1	12222000A06317
1.1	Air outlet grille	1.0	12222000A06091
1.2	Front panel	1.0	12222000A06318
2	Axial flow fan	1	12100105000961
3	Brushless DC Motor	1	11002015012128
4	Motor Bracket	1	12222000013233
5	Condenser Assembly	1	15822000010456
6	Left Side Panel	1	12222000013238
7	Top cover assembly	1	12222000013240
8	Partition board assembly	1	12222000013665
9	Right clapboard assembly	1	12222000013225
10	Water collector	1	12122000007150
11	Big handle assembly	1	12222000010966
12	Terminal	1	17400401000068
13	Chassis assembly	1	12222000013431
14	DC Inverter rotary compressor	1	11103020006759
19	Rear net	1	12222000015606
20	4-way Valve Assembly	1	15422000022235
20.1	Gas valve	1.0	15500204000058
20.2	4-way valve	1.0	15500216002143
20.3	Valve plate	1.0	12222200005738
20.4	Muffler subassembly	1.0	15122000026590
21	Liquid valve assembly	1	15422000017980
21.1	Liquid valve	1.0	15500208000046
23	Copper nut	1	15500406000016
23	Copper nut	1	15500406000012
24	Combination Sensor	1	11201011000067
25	Terminal board	1	12222000002259
26	Electronic control box subassembly	1	17222000039291
26.2	Fixing board	1.0	12122000024222
26.3	Electronic installing box subassembly	1.0	12222000012106
26.5	Outdoor main control board subassembly	1.0	17122000061152
37	Reactor	1	17400306001263
40	Crankcase electric heater	1	17402001000599
41	Electric heating tube	1	17402002000465
43	Drain Hose	1	12100509000059
99	Compressor Wires Subassembly	1	17401203012697

Due to ongoing product improvements, specifications and dimensions are subject to change and correction without notice or incurring obligations. Determining the application and suitability for use of any product is the responsibility of the installer. Additionally, the installer is responsible for verifying dimensional data on the actual product prior to beginning any installation preparations.

Incentive and rebate programs have precise requirements as to product performance and certification. All products meet applicable regulations in effect on date of manufacture; however, certifications are not necessarily granted for the life of a product. Therefore, it is the responsibility of the applicant to determine whether a specific model qualifies for these incentive/rebate programs.

Comfort-Aire® **Century**®

1900 Wellworth Ave., Jackson, MI 49203 • Ph. 517-787-2100 • www.marsdelivers.com

